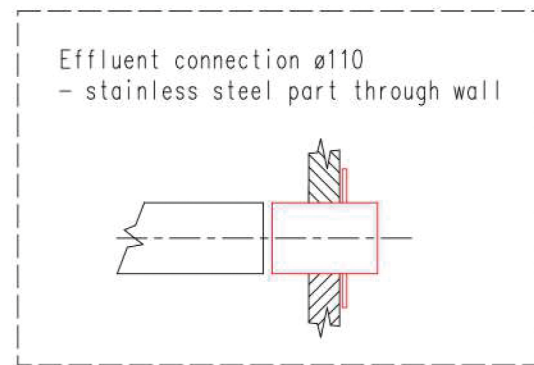
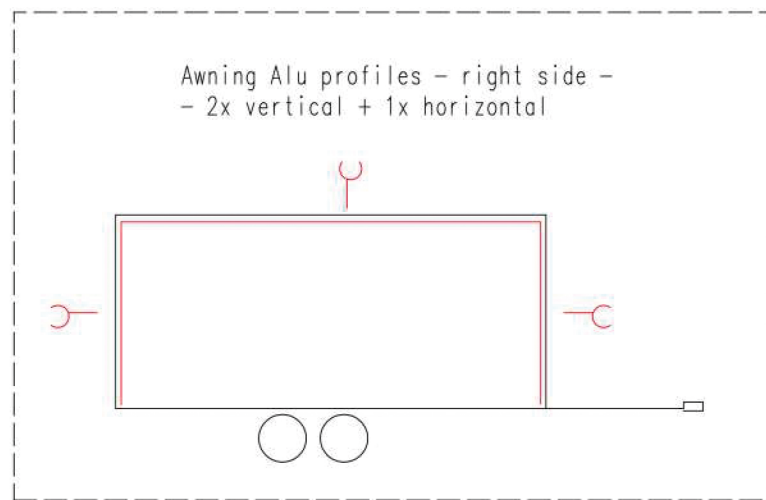
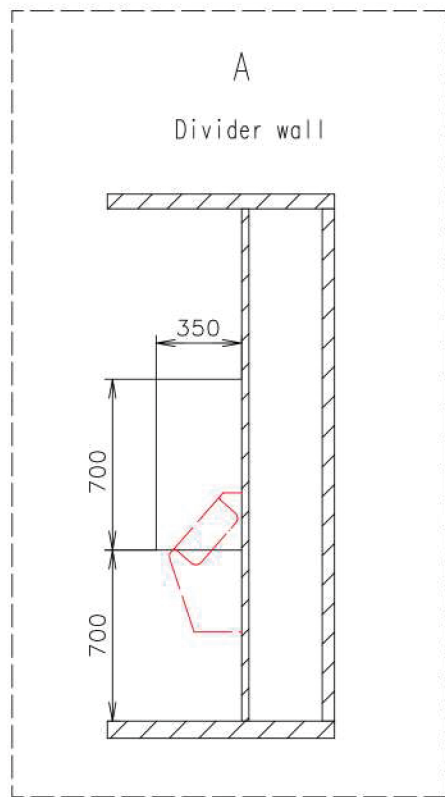
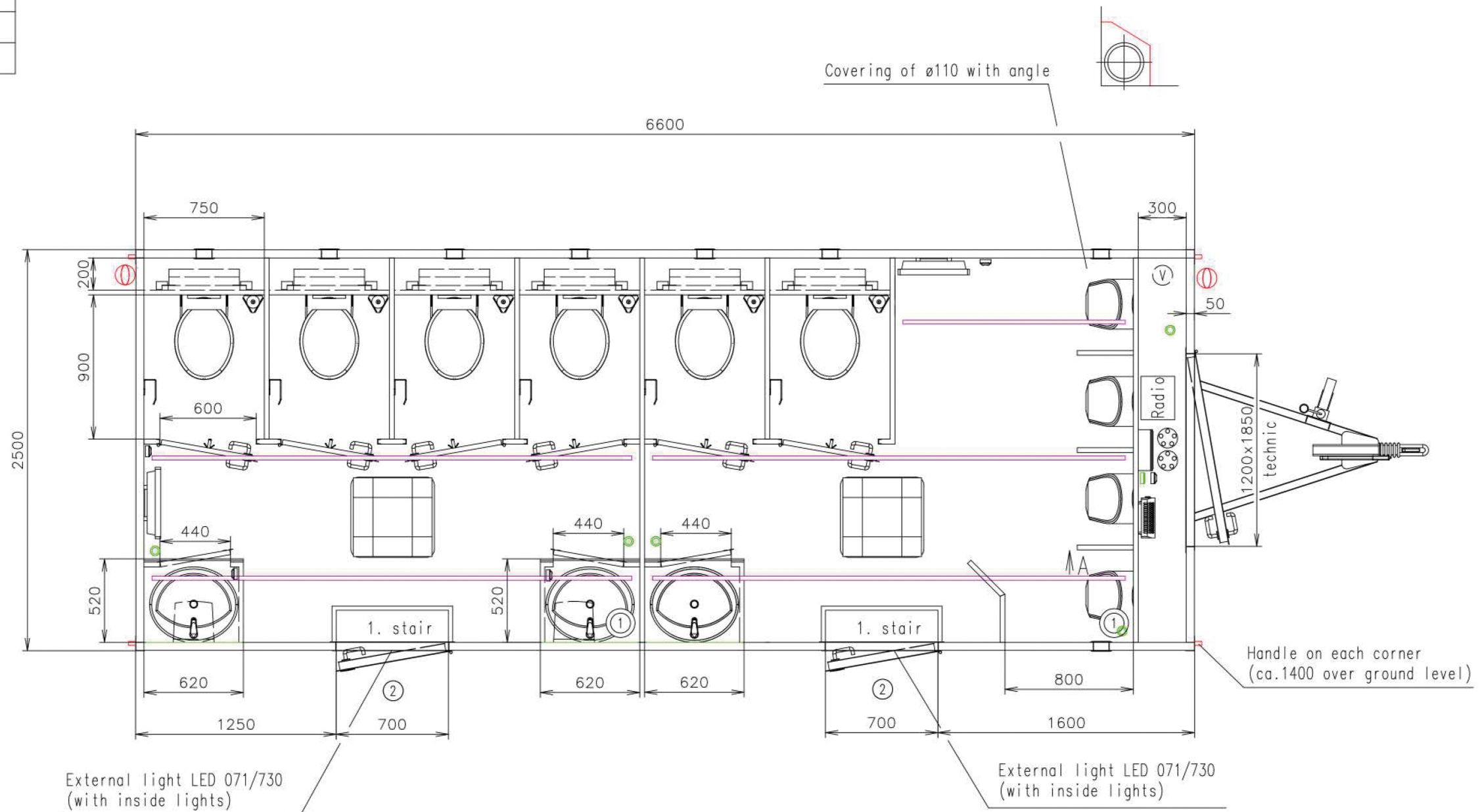


Connection hoses and cables	
Water hose:	✓
Waste water hose:	✗
Electric cable:	✓ 2x



- External doors - without cylinders
- Spare wheel - free loaded
- Working desks - material, decor ?
- Notes: Interior doors + divider walls in black decor 6515

Interior height:	2100 mm	Total weight:	2600 kg
Color:	RAL 7042	Tare weight-estimate:	2200 kg
Floor:	PVC Jupiter 148708	Centre of wheels from rear side:	3240 mm
Date:	1.3.2016	Wheels:	165 R13C

Sani Mobil

Drawing number:
2287-66-1_1/2 (Sprenger)

(Cabling and piping is not shown on the 3D views and drawings)