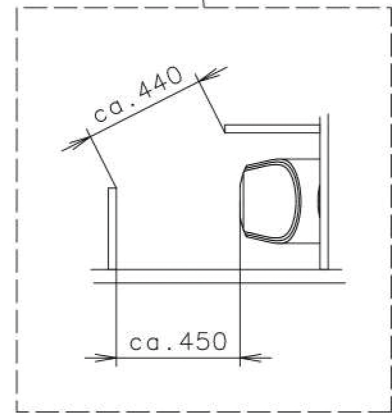
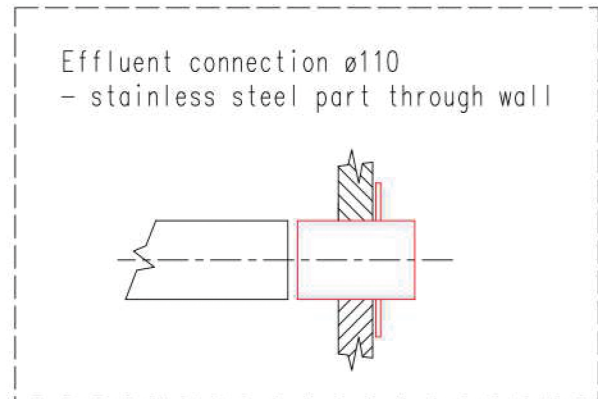
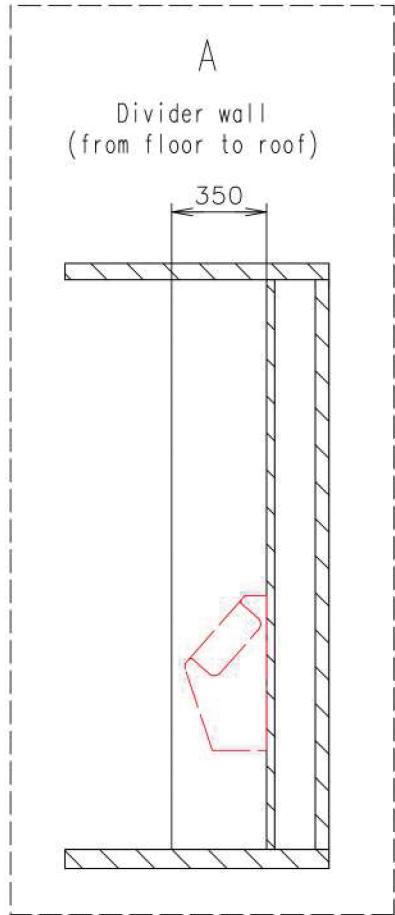
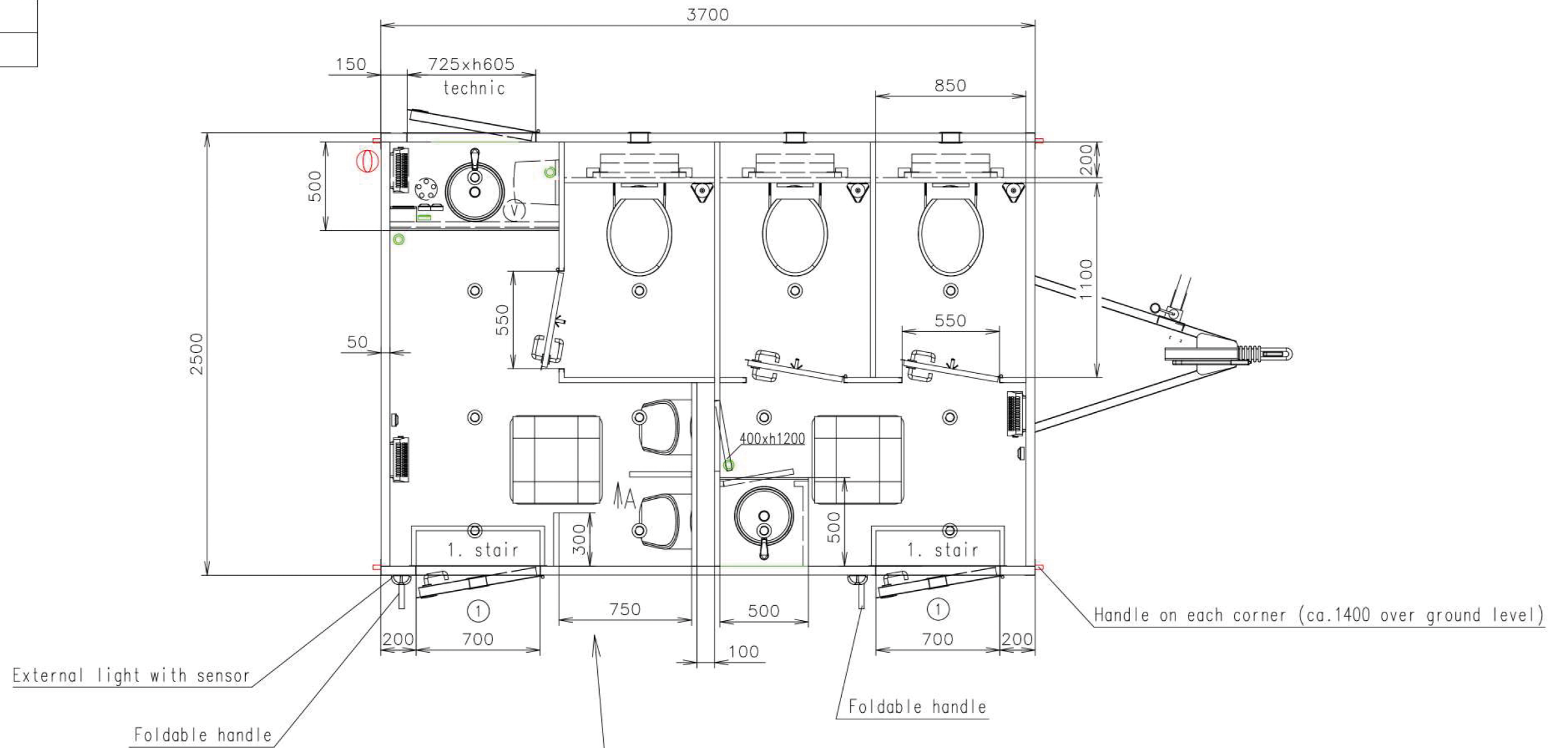


Connection hoses and cables	
Water hose:	✓
Waste water hose:	✗
Electric cable:	✓



- External doors - without cylinders
- Chassis covered by tilt - gray color
- Working desks - material, decor ?
- Notes: Interior doors + divider walls in black decor 6515 Toilet brushes

Interior height:	2100 mm	Total weight:	1300 kg
Color:	RAL 7042	Tare weight-estimate:	1250 kg
Floor:	PVC Jupiter 148708	Centre of wheels from rear side:	1870 mm
Date:	2.3.2016	Wheels:	165 R13C



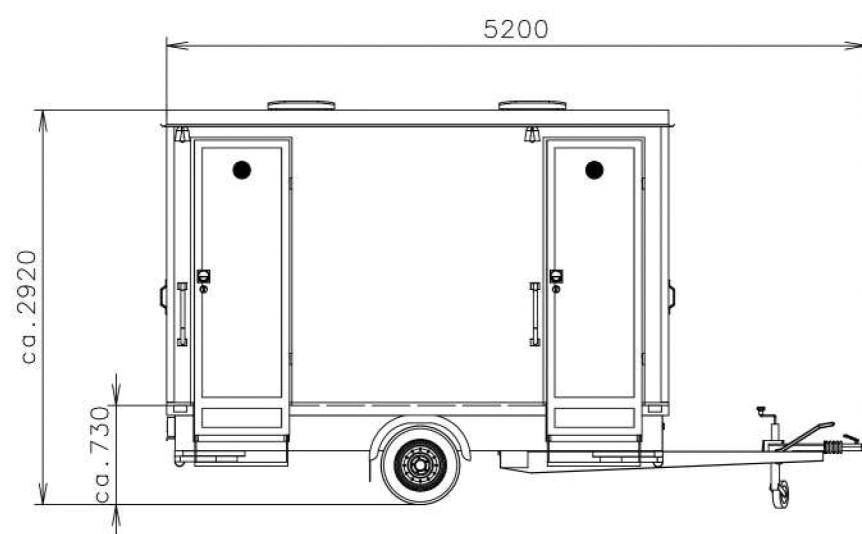
Drawing number:
2284-37-2_1/2 (Sprenger)

(Cabling and piping is not shown on the 3D views and drawings)

Connection hoses and cables	
Water hose:	✓
Waste water hose:	✗
Electric cable:	✓

- Ⓥ Water connection 3/4" (through the floor) + filter + reduction valve
- Ⓢ Electric connection (through the floor) (230V-16A)
- Ⓣ Effluent connection ø110 (through wall) - stainless steel part
- Ⓜ Power point
- Ⓛ Light switch
- Ⓜ Switch board (500 over floor)
- Ⓞ Spot light
- Ⓢ External sensor light
- Ⓜ Heating (500W)
- Ⓞ Floor drain hole

- Ⓢ Sink ø335 (stainless steel) + standard water tap
- Ⓢ Hanging toilet (toilet seat - steel holders)
- Ⓢ Urinal - Vitra Siko (water flush)
- Ⓢ Hot water boiler Gorenje GT50 (5 l)
- Ⓢ Roof window Dometic (400x400)
- Ⓢ Ventilation ø120
- Ⓢ Brush toilet
- Ⓢ Clothes hanger
- Ⓢ Mirror (500x500)
- ① Foldable stairs Fiona (update on fixing of stair) + stainless steel handrail



(Cabling and piping is not shown on the 3D views and drawings)

External doors - without cylinders

Chassis covered by tilt - gray color

Working desks - material, decor ?

Notes: Interior doors + divider walls in black decor 6515 Toilet brushes

Interior height:	2100 mm	Total weight:	1300 kg
Color:	RAL 7042	Tare weight-estimate:	1250 kg
Floor:	PVC Jupiter 148708	Centre of wheels from rear side:	1870 mm
Date:	2.3.2016	Wheels:	165 R13C

 **Sani Mobil**

Drawing number:
2284-37-2_2/2 (Sprenger)