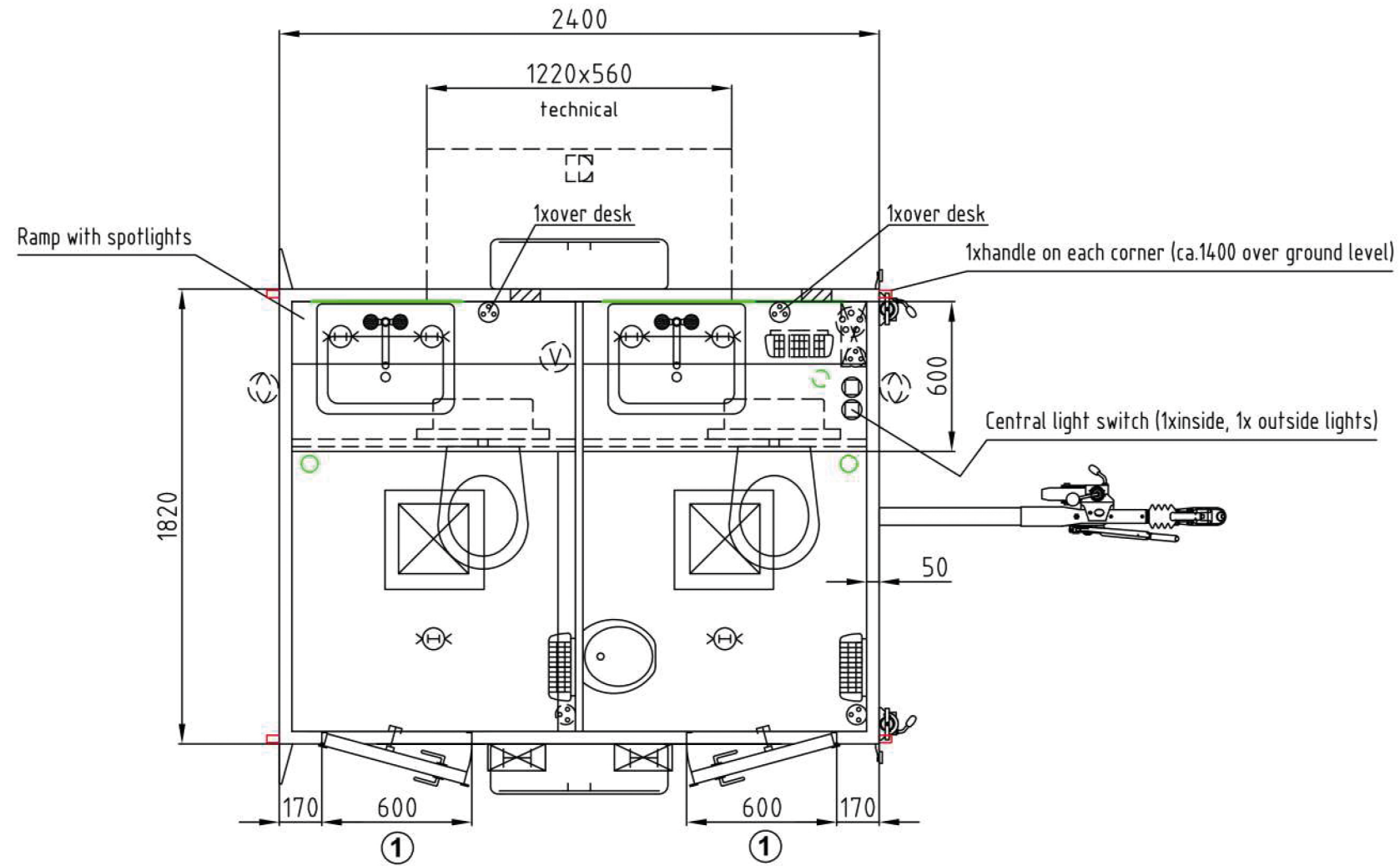


Connection hoses and cables	
Water hose:	✓
Waste water hose:	✗
Electric cable:	✓



Working desks in waterproof compact desk Egger (dark color)

Notes:

Chassis covered by tilt - gray color

Toilet brushes

Interior height:	2100 mm	Total weight:	750 kg
Color:	RAL 7042	Tare weight:	690 kg
Floor:	PVC Jupiter 148708	Center of wheels from rear side:	1200 mm
Date:	8.12.2016	Wheels:	165/70 R13

 **Sani Mobil**

Drawing number:

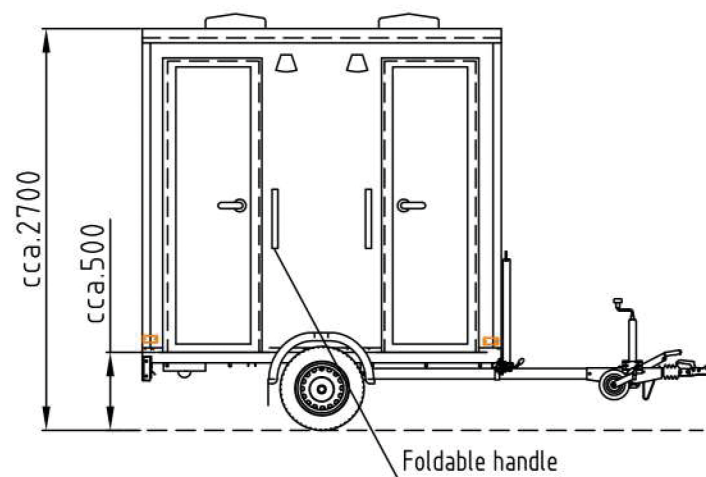
1808-24-5\_1/2 (Sprenger)

Connection hoses and cables	
Water hose:	✓
Waste water hose:	✗
Electric cable:	✓

- Ⓥ Water connection 3/4" (through the floor) + filter
- Ⓢ Electric connection (through the floor) (230V-16A)
- Ⓞ Effluent connection  $\varnothing$ 110 (through wall)
- Ⓞ Floor drain hole
- Ⓢ Power point
- Ⓞ Light switch
- Ⓢ Switch board (500 over the floor)

- Ⓢ Heating (500W)
- Ⓢ Spot light
- Ⓢ Ventilation
- Ⓢ Roof window
- Mirror (600x600)
- Ⓢ External light

- Ⓢ Clothes hanger
- Ⓢ Wash-basin (over the desk) + standard water tap (only cold water)
- Ⓢ Urinal
- Ⓢ Hanging toilet
- 1. Foldable stairs Serena + feet



Working desks in waterproof compact desk Egger (dark color)

Notes:

Chassis covered by tilt - gray color

Toilet brushes

Interior height:	2100 mm	Total weight:	750 kg
Color:	RAL 7042	Tare weight:	690 kg
Floor:	PVC Jupiter 148708	Center of wheels from rear side	1200 mm
Date:	8.12.2016	Wheels:	165/70 R13
		Drawing number:	
		1808-24-5_2/2 (Sprenger)	